



# Quick Start Guide

## 08FB1



## **Welcome**

Thank you for purchasing this network camera!

This owner's manual is designed to be a reference tool for your system.

Please read this manual carefully before operating the unit and retain it for future reference.

Should you require any technical assistance, contact Speco Technologies Tech Support at

1-800-645-5516

## **Important Safeguards and Warning**

### **1. Electrical safety**

All installation and operation here should conform to local electrical safety codes.

Use a certified/listed 12VDC Class 2 power supply or adequate PoE switch.

Please note: The product must be grounded to reduce the risk of electric shock.

Improper handling and/or installation could run the risk of fire or electrical shock.

### **2. Environment**

Do not expose the unit to heavy stress, violent vibration or long-term exposure to water and humidity during transportation, storage, and/or installation.

Do not install near sources of heat.

Only install the product in environments inside the specification operating temperature and humidity range.

Do not install the camera near power lines, radar equipment or other electromagnetic radiation.

Do not block any ventilation openings if any.

Use all the weatherproofing hardware requirement to minimize weather intrusion.

### **3. Operation and Daily Maintenance**

Please shut down the device and then unplug the power cable before you begin any maintenance work.

Do not touch the CMOS sensor optic component. You can use a blower to clean the dust on the lens surface.

Always use the dry soft cloth to clean the device. If there is too much dust, use a cloth

dampened with a small quantity of neutral detergent. Finally use the dry cloth to clean the device.

Please use a professional optical cleaning method to clean the enclosure.

The grounding holes of the product are recommended to be grounded to further enhance the reliability of the camera.

The lens is an optical device, please don't touch or wipe cover surface directly during installation and use, please refer to the following methods if dirt is found:

Stained with dirt: Use oil-free soft brush or hair dryer to remove it gently.

Stained with grease or fingerprint: Use oil-free cotton cloth or paper soaked with alcohol or detergent to wipe from the lens center outward. Change the cloth and wipe several times if it is not clean enough.

## **Warning**

This camera should be installed by qualified personnel only.

All the examination and repair work should be done by qualified personnel.

Any unauthorized changes or modifications could void the warranty.

## **Statement**

This guide is for reference only.

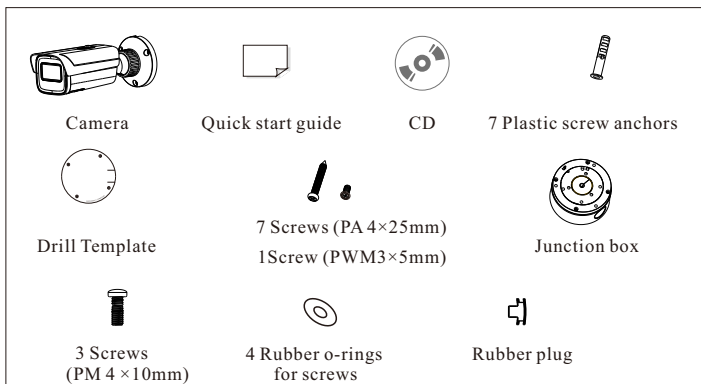
Product, manuals and specifications may be modified without prior notice. Speco Technologies reserves the right to modify these without notice and without incurring any obligation.

Speco Technologies is not liable for any loss caused by improper operation.

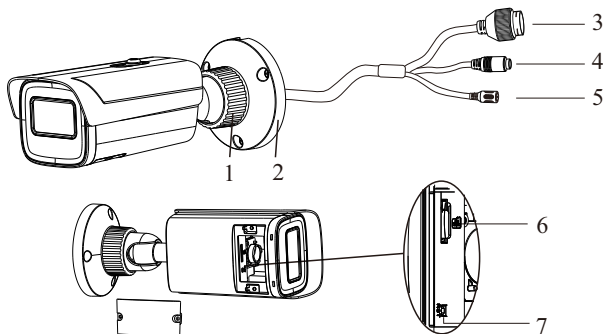
### **Note:**

Before installation, check the package and make sure that all components are included. Contact your rep or Speco customer service department immediately if something is broken or missing in the package.

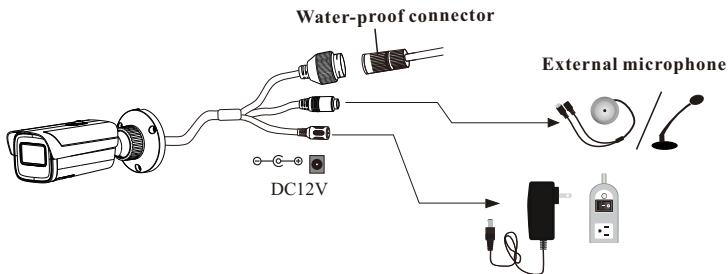
# **1 Package**



## 2 Overview

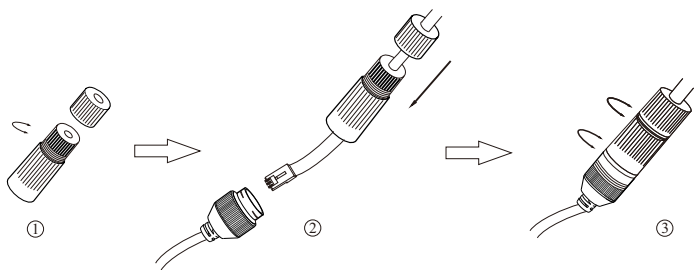


1	Fixed ring	5	DC power connector
2	Mounting base	6	Micro SD card slot
3	Ethernet connector	7	Reset
4	Audio input		



\* It is recommended to install the water-proof connector for outdoor installations.

## ● Connecting Network Cable



① Loosen the nut from the main element.

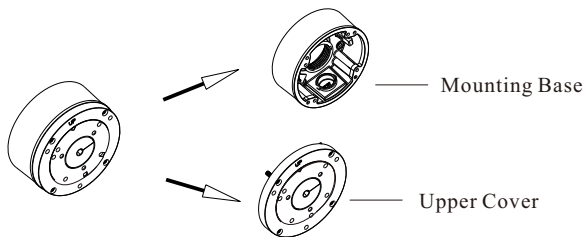
② Run the network cable (without RJ 45 connector) through both elements. Then crimp the cable with RJ 45 connector.

③ Connect the cable to the water-proof connector. Then tighten the nut and the main cover.

### 3 Installation

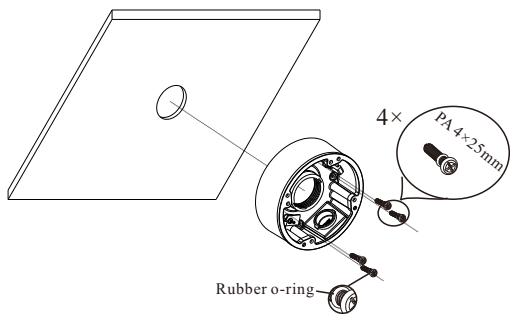
\* Before you start, please make sure that the wall or ceiling is strong enough to withstand three times the weight of the camera.

Open the mounting base and the upper cover of the junction box.

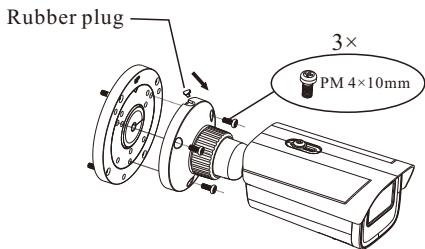


Attach the drill template of the junction box to the place where you want to install the junction box and then drill the screw hole and cable hole on the wall according to the drill template.

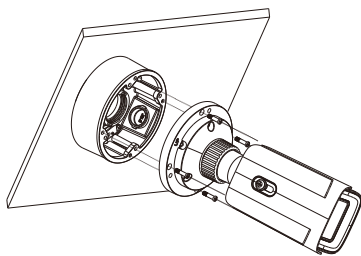
Install junction box onto the wall by using the screws provided.



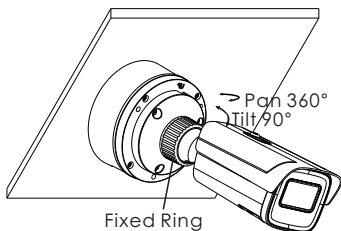
④ Mount the rubber plug to the gap of the mounting base and fasten the camera onto the mounting base.



⑤ Connect the cables and then install the camera onto the junction box as shown below.



⑥ Bracket Adjustment-Loosen the fixed ring to adjust the view angle of the camera. After you get the optimum angle of view, tighten the fixed ring to complete the installation.



## 4 Web Operation and Login

IP Scanner can search for the device on the local network.

### • Operation

① Make sure that the camera and the PC are connected to the same local network. The camera is set to DHCP by default.

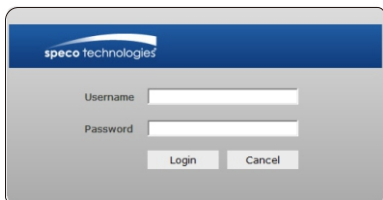
② Install IP Scanner from the CD and run it after installation.

Or download from <https://www.specotech.com/ip-scanner/>

Status	Model Name	Name	IP Address	MAC Address	Wireless IP Address	Zero Config IP
Online		O8FB1	192.168.17.251	5C:F2:07:24:28:6A	n/a	n/a

③ In the device list, you can view the IP address, model number, and MAC address of each device. Select the applicable device and double click to open up the web viewer. You can also manually enter the IP address in the address bar of the web browser.



The image shows a login interface for Speco Technologies. It features a blue header bar with the company logo and name. Below the header, there are two input fields: one for the username and one for the password. At the bottom of the form, there are two buttons: 'Login' and 'Cancel'.

speco technologies

Username

Password

Login Cancel

The login interface is shown above. Default user name is admin and password is 1234. After logging in, follow directions to install applicable plugins if prompted.